

The stylish cassette awning



weinor

Premium quality  
Made in Germany



# Cassita II

Cassita II LED

[www.weinor.com](http://www.weinor.com)

Relax al Fresco |

**weinor**



Contents

Product highlights	4
Awning fabrics	8
Frame colours	8
Opti grooved tube	9
BiConnect remote control	10

Automatic weather control and accessories	11
Planning/measuring	12
Cross-sections	13
Installation options	14
Extraction forces	19

## weinor Cassita II – a jewel amongst cassettes



With its slim, purist design, the Cassita II is in perfect harmony with modern home interior trends. Despite its ultra-slim design, the cassette is packed with a whole range of technological innovations. The minimalist look of the two-point installation system underlines the contemporary design. Its dimensions make the Cassita II the ideal sun protection system for most patio sizes.

# weinor Cassita II highlights



47 frame colours  
and 9 trend colours



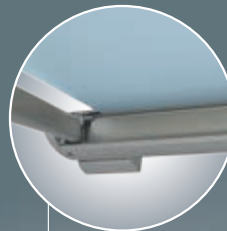
10-year warranty on  
LongLife arm



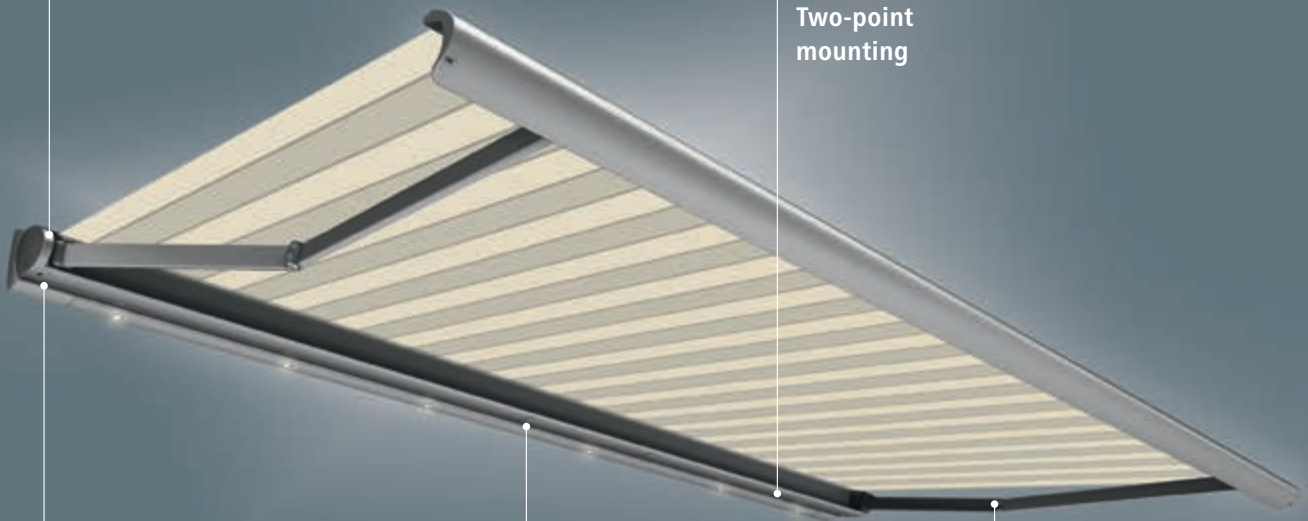
New design with  
strong, attractive  
aluminium end caps



Easy installation  
beneath the ceiling,  
low profile



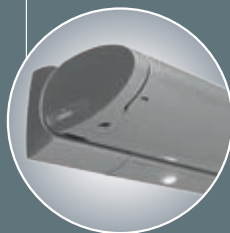
Two-point  
mounting



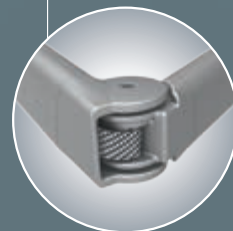
Easy pitch adjustment



Cassita II LED  
model



Slender  
LongLife arm



# Product benefits in detail

Well-engineered technology – cool design: the highlights of the weinor Cassita II/Cassita II LED



## New design – with aluminium end caps

At just 12 cm high, the elegant weinor Cassita II cassette is especially slim. Nonetheless it houses all the technology and protects it reliably from the elements.

- new, purist design
- harmonious, slim oval shape
- shapely aluminium end caps with a stylish weinor logo
- excellent protection for the fabric and fittings



## Slender LongLife Arm – durable, quiet operation

The new arm features an exceptionally robust high-tech belt.

- tested to more than 100,000 cycles
- extremely quiet operation
- no maintenance required

- drop-forged aluminium in joint – light but highly robust
- excellent fabric positioning
- 10-year warranty



## Two-point mounting – elegant and quickly installed

The folding arms on the Cassita II are placed directly on the head-plates. This means that only two brackets are required to install the awning.

- easy to install on a wall: just two wall mountings
- highlights the overall elegance of the unit
- screws are hidden from sight



## Adjust the pitch to any angle – simple and safe

The Cassita II comes with a practical adjusting bracket on the awning cassette, making it especially easy to adjust the angle.

- set to any angle from 5 – 45° by turning the cassette
- easy to install
- stays in place and remains stable even in surging winds



## Cassita II LED – with flush patio lighting

The Cassita II LED provides pleasant lighting on your patio. The light bar matches the colour of the cassette and the spotlights are hidden out of sight.

- 30,000 hours of lighting with minimal energy consumption
- highly energy efficient



- standard
- optional
- unavailable

## weinor Cassita II models

	Cassita II	Cassita II LED
<b>Technology</b>		
Max. width	550 cm	550 cm
Max. projection	300 cm	300 cm
Cassette size (W x H)	221 x 120 mm	266 x 120 mm
Coupled systems	—	—
Crank drive*	○	—
Motor drive	● as standard	● as standard
Adjusting the pitch	5° to 45°	5° to 45°
Installation options	can be installed on walls, ceilings and rafters	
Lighting	—	● LED light bar
<b>Design</b>		
47 standard frame colours	●	●
Over 150 other RAL colours	○	○
9 trend colours	●	●
Other textured colours	○	○
weinor fabric collection	●	●
<b>Accessories</b>		
Tempura/Tempura Quadra heating system	○	○
<b>Controls</b>		
Remote control	see p. 10	dimnable with BiConnect
No remote	fully wired and ready to plug in	fully wired and ready to plug in
<b>Quality</b>		
Tested up to	wind force 5 on the Beaufort scale and wind resistance class 2 according to DIN 13561	

\* A maximum inclination of 25° may be set.





## Fabrics – attractive, brilliant long-lasting colours

For an attractive awning you need a high-quality fabric. The 'colours by weinor®' collections provide a wide selection.

- solution-dyed to make them colour-fast
- stay beautiful thanks to dirt- and water-repellant nano-coating
- optional: wide range of collections by other manufacturers



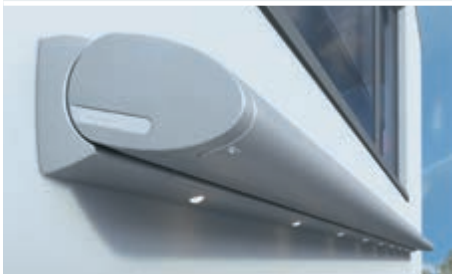
Acrylic fabrics  
100 patterns



Polyester fabrics  
55 patterns

- high-quality acrylic
- proven for decades
- fabric width: 120 cm/240 cm

- innovative polyester quality
- high-stretch with memory effect®
- fabric width: 120 cm



## Wide range of frame colours – abundance of choices

weinor coats all of its products in its own workshop. This ensures that they have the best-possible colour tonality and identical gloss levels.

- 47 standard RAL frame colours, silk gloss (gloss level  $70 \pm 5\%$  when measured at a  $60^\circ$  angle)
- 9 scratchproof, resistant trend colours with a textured look
- over 150 special RAL colours

### 47 standard frame colours


### 9 trend colours

--	--	--	--	--	--	--	--	--

weinor is an eco-friendly company. To ensure compliance with high environmental standards, manufacturing processes and materials undergo regular testing by experts.

As a result of the ban on the use of heavy metals in powder coatings, paint manufacturers can no longer guarantee colour stability despite making every effort to do so. It therefore cannot be excluded that colours in general, and Fire Red (RAL 3000) in particular, may fade with time. For technical reasons, the colours may appear significantly different when printed.



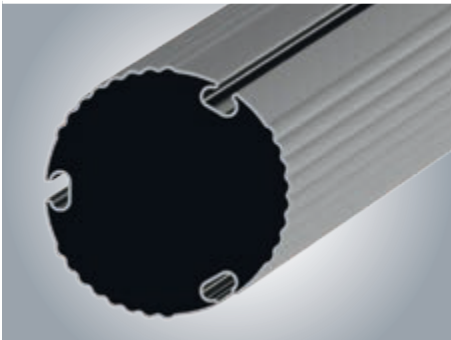
## LED lighting – 30,000 hours of lighting with extremely low energy consumption

Select LED components for top weinor quality:

- flush installation
- atmospheric light thanks to special glass lenses
- lighting remains on even when awning is retracted
- highly energy efficient
- operating life of 30,000 hours
- with BiConnect remote control, continuous dimming
- easy to service: simply replace individual LED lights without uninstalling the awning

Awning width	Number of separate LED spotlights
180 – 219 cm	3
220 – 274 cm	4
275 – 329 cm	5
330 – 384 cm	6

Awning width	Number of separate LED spotlights
385 – 439 cm	7
440 – 494 cm	8
495 – 550 cm	9

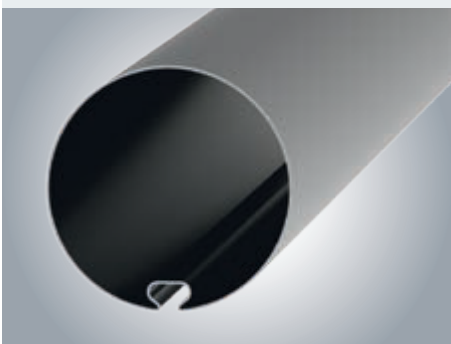


## Fabric rests in a central position as it winds, reducing wrinkling

### weinor innovation

weinor's new Opti grooved tube in the fabric roller turns particularly smoothly. This optimisation cuts down on creasing and ensures that the fabric looks fantastic.

- centrally positioned motor; fabric winds evenly on smooth-running roller
- regularly spaced grooves for piping
- fabric roller with minimised sag



### Conventional solution

Conventional grooved tubes simply have an indentation to hold the piping. The motor rests off-centre in the tube. This means that the fabric roller does not turn smoothly; the fabric is rolled up rather more unevenly.



BiEasy 5M

BiEasy 15M with display

## weinor BiConnect – coordinated control for awning, light and heating (optional)

The awning comes as standard with one motor and can optionally be controlled with the pre-programmed BiEasy remote control. There are

handheld transmitters with different numbers of channels: choose from 1, 5 or 15 channels with a display.



### BiConnect BiEasy handheld transmitter

- safe to operate on protected frequency (868 MHz)
- range of up to 100 m

### BiRec remote-controlled receiver

- various remote-controlled receivers depending on functions used
- to suit awning fittings – e.g. to extend and retract the awning or dim the lights

Product	Comes with (integrated)	Remote receiver	Handheld transmitter
Cassita II	awning motor	BiRec MA	BiEasy 1M/5M/15M
	+ Tempura heating system*	BiRec HD	BiEasy 5M/15M
Cassita II LED	awning motor		
	+ LED light	BiRec MLED	BiEasy 5M/15M
	+ LED light + Tempura heating system*	BiRec MLED + BiRec HD	BiEasy 5M/15M

Requires: awning with BiConnect remote control; sensors require at least a BiEasy 1M, 5M or 15M  
\* option

Product	BiConnect	Somfy RTS	Somfy io
Cassita II	●	●	●
Cassita II LED	● dimmable	● not dimmable	● not dimmable

● available  
— not available



### Installation location for receiver

The receiver box is placed in the wall bracket.



## Product protection sensor BiSens Agido-3V

The awning retracts when the wind protection sensor BiSens Agido-3V is activated by suitable wind levels.

- threshold value adjustable
- only sold with BiConnect
- energy-saving technology
- battery life 2 years
- awning remains in place approx. 20 minutes after retraction
- fitted into front rail



BiSens SWR-230 V

## Sun, wind and rain sensors – automatically protect your product and prevent excess heat (optional)

The BiConnect series remote sensors automatically extend the awning when the sun shines and reliably retract it in the wind or rain.

Available types:

- BiSens SWR-230 V sun, wind and rain sensor
- BiSens SW-230 V sun and wind sensor
- also solar-run: BiSens SW-Solar

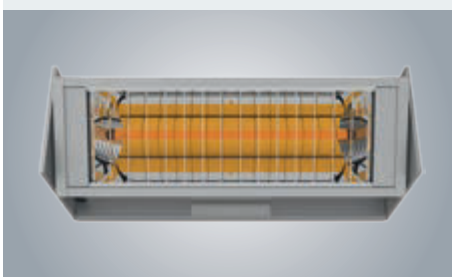


Tempura Universal

## Tempura/Tempura Quadra Universal heating system (option)

Tempura, the energy-efficient infrared heating system convinces with heat output of 1,500 watt in a tiny housing.

- Instant heat: no warm-up time
- Turn as required for targeted warmth
- Can be optionally operated via radio control (only possible with BiConnect and Somfy RTS)
- Splash protection
- Comes in 47 standard frame colours plus 9 scratch-proof, resistant trend colours with a smart, textured look
- Optional: 150 special RAL colours
- Universal bracket makes it easy to retrofit (mounted to the wall)
- TÜV tested
- With the Tempura Quadra, the radio elements can be integrated in the housing



Tempura Quadra Universal

## Crank operation (optional)

The Cassita II can, of course, also be extended and retracted using a crank. This option is recommended whenever it is hard to connect to an electrical power source on the site or if the awning is not frequently used.

The weinor Cassita II has a universal bevel gear system

- with an end stop that can be set from outside
- tested according to DIN EN 14203
- freewheel device when extended
- a maximum inclination of 25° may be set



## Determining the diagonal and head clearance height:

1. Find the diagonal by looking in the 'Diagonal' table for the terrace depth.
2. Using the diagonal from the table and the required angle of inclination, consult the 'head clearance height' table for the head clearance height. This head clearance height refers to an installation height of 300 cm.
3. Add/subtract the difference between 300 cm and the actual installation height to/from the head clearance height in the table.

## Determining the diagonal

This table can be used to find the awning diagonal for any given horizontal terrace depth.

Pitch	Patio depth in cm			
	150	200	250	300
5°	150	200	250	300
15°	160	210	260	310
25°	170	220	280	330

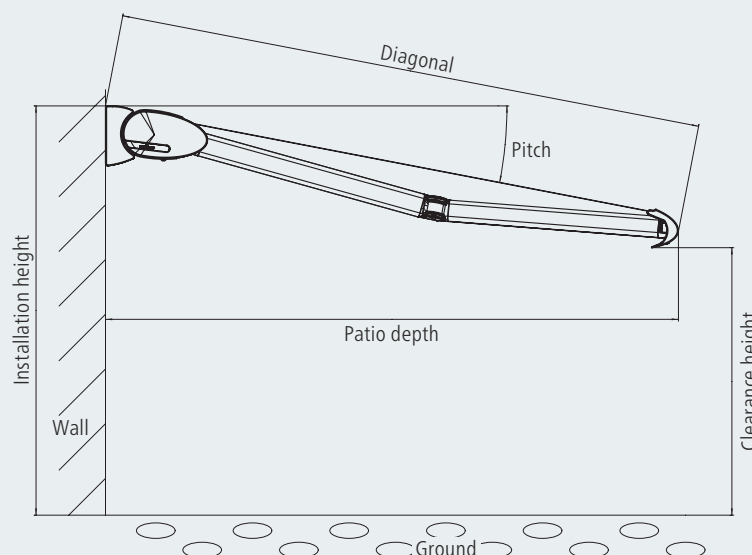
Diagonal in cm (rounded figures)

## Determining the clearance height

This table is used to find the clearance heights for various diagonals when the tilt angle is 5°, 15° or 25°. This table is based on the example of an installation height of 300 cm (upper edge of awning).

Pitch	Diagonal in cm			
	150	200	250	300
5°	280	270	270	260
15°	250	240	230	210
25°	230	210	180	160

Clearance height in cm (rounded figures)



Cassita II with housing clip (451 cm and above)



Housing clip

## Sizes and bracket recommendations

Width in cm	Number of arms	Diagonal in cm (irregular figures possible)			
		150	200	250	300
– 250	2	●	●	●	
251 – 300	2	●	●	●	●
301 – 350	2	●	●	●	●
351 – 400	2	●	●	●	●
401 – 450	2	●	●	●	●
451* – 500	2	●	●	●	●
501 – 550	2	●	●	●	●

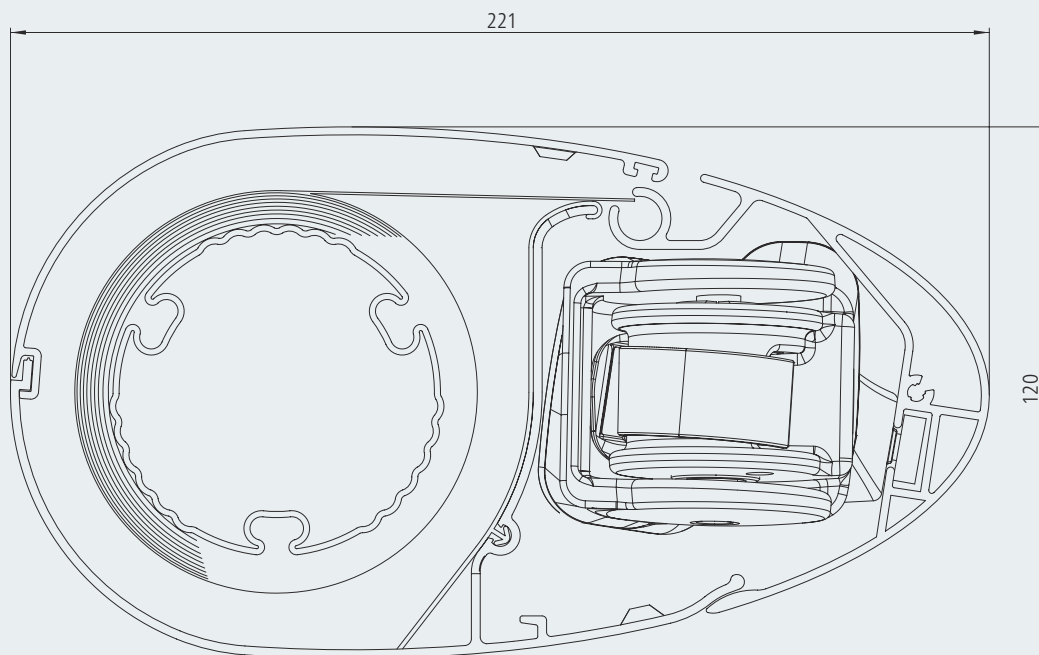
● Cassita II standard wall bracket

● Mounting plate, 200 x 260 mm, incl. 1 standard wall bracket and covers

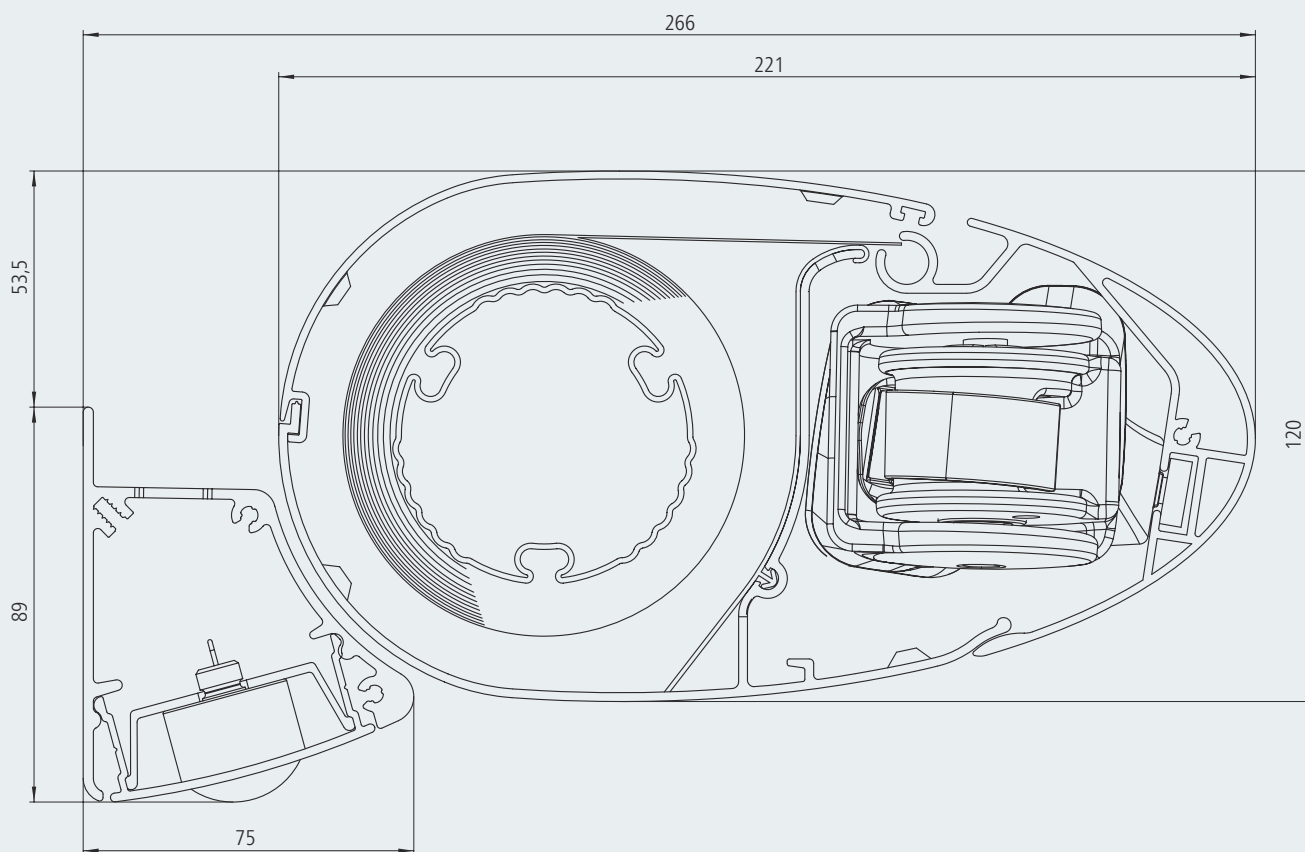
Wall mounting on C20/25 concrete with up to 200 mm of facing, wind resistance class 2 and a permissible centric tensile load of 5.71 kN for anchor bolts

\* Two housing clips are always used for widths of 451 cm and higher. These are positioned 75 cm to the left and right of the centre of the cassette.

Cross-section of Cassita II



Cross-section of Cassita II LED

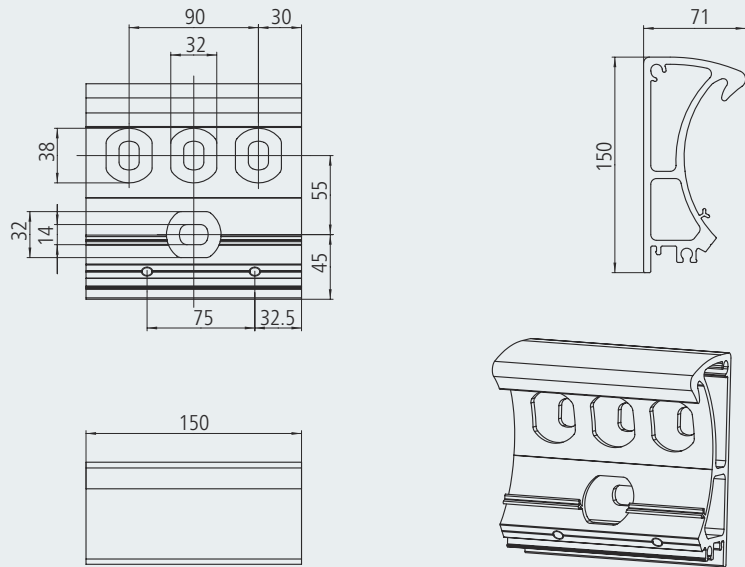
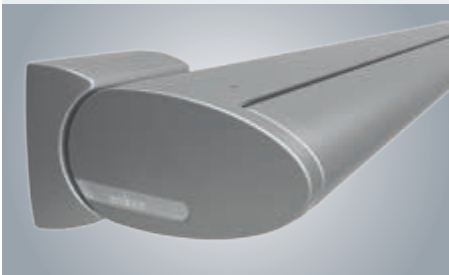


## Wall, ceiling or rafter installation – suitable for various building conditions

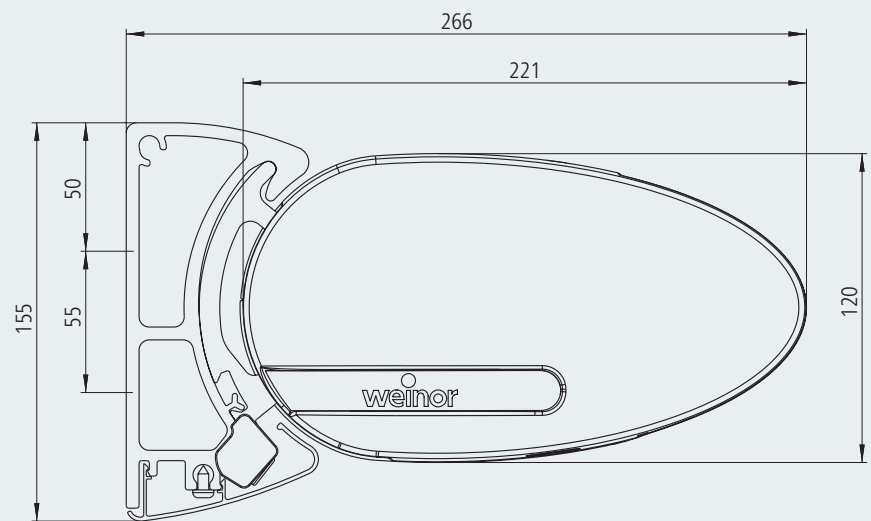
Its construction means that the weinor Cassita II can be mounted in a wide range of ways: not only on walls but also ceilings or rafters.

The brackets and mounting plates are made of extruded, powder-coated aluminium.

### Wall installation

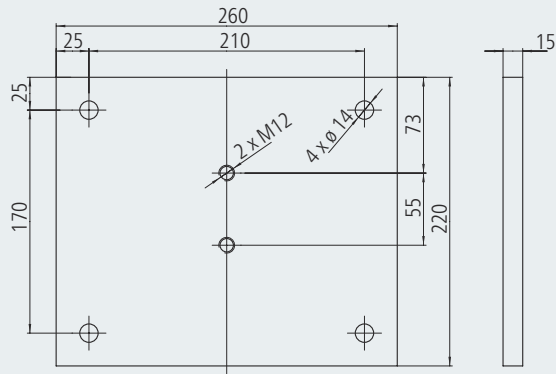


Standard wall bracket

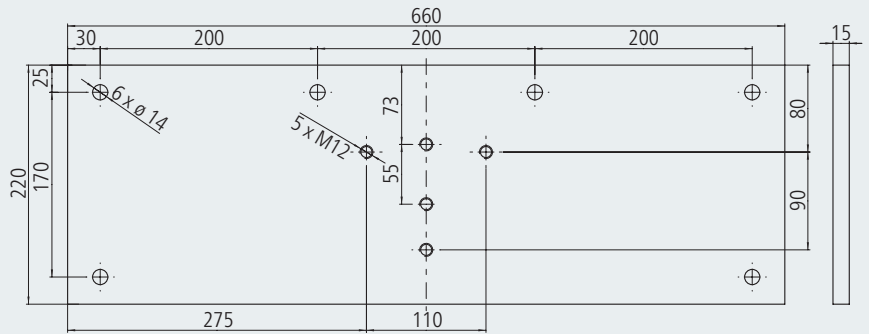


Cassita II with standard wall bracket

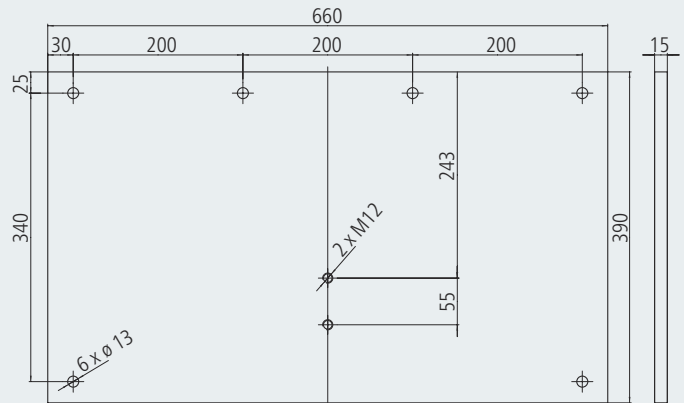
Mounting plate, 260 x 220 x 15 mm + standard wall bracket



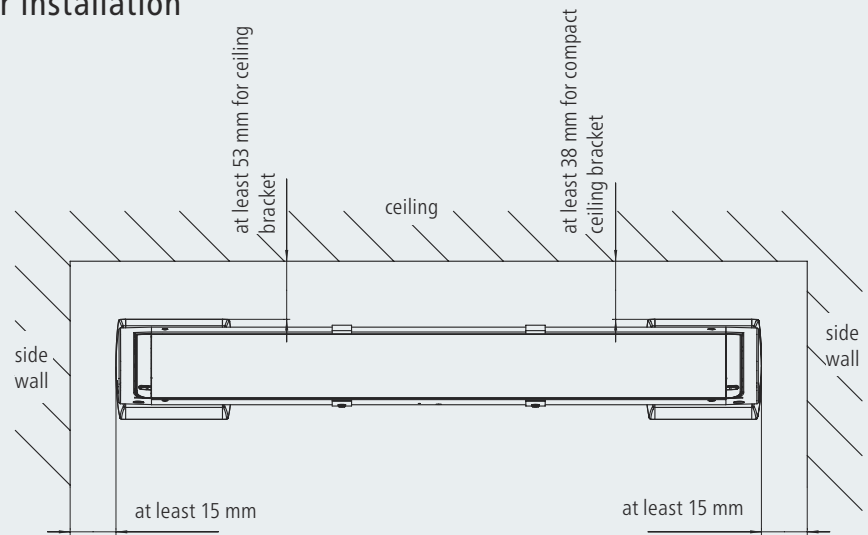
Mounting plate, 660 x 220 x 15 mm + standard wall bracket



Mounting plate, 660 x 390 x 15 mm + standard wall bracket



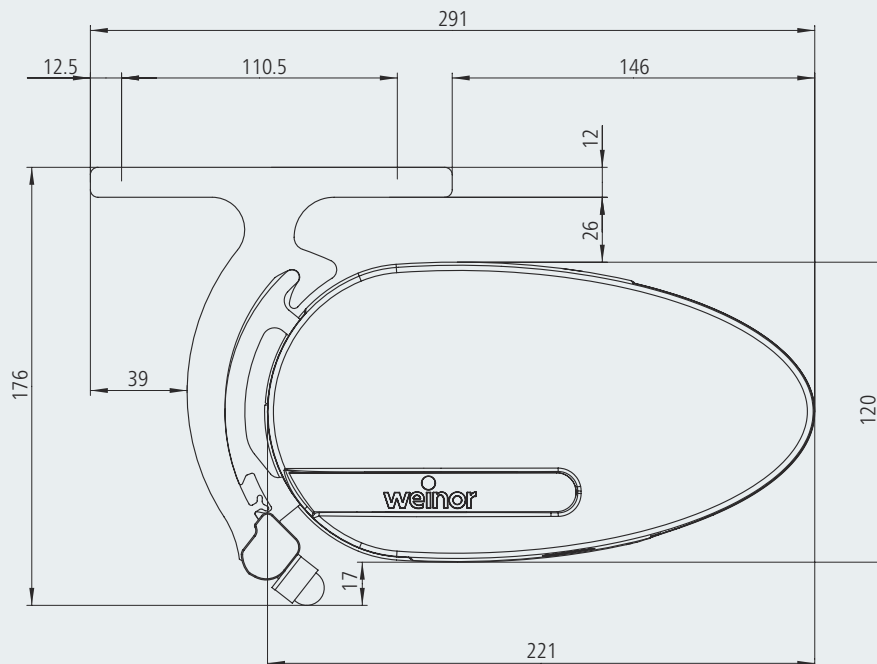
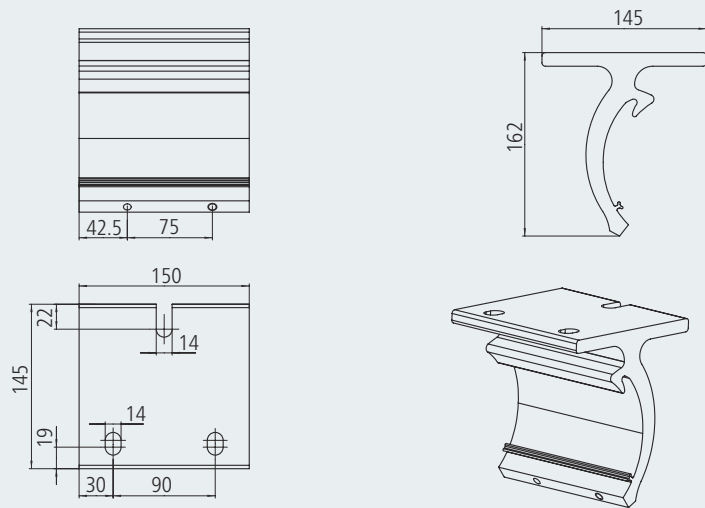
## Minimum spacing distances for installation



## Ceiling installation I



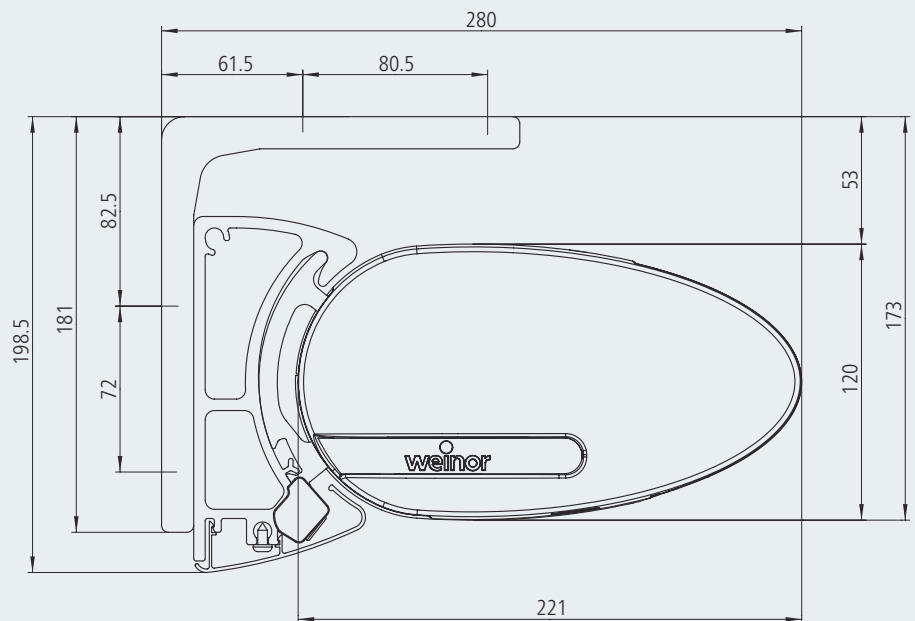
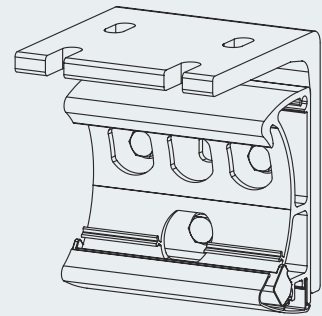
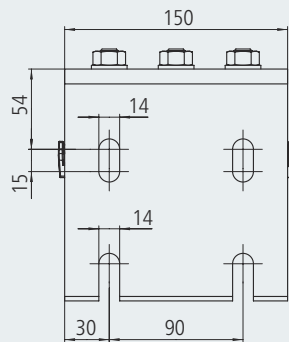
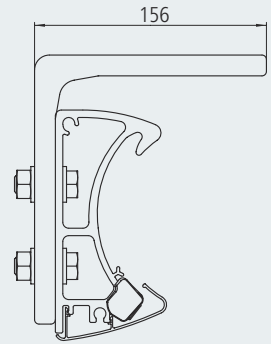
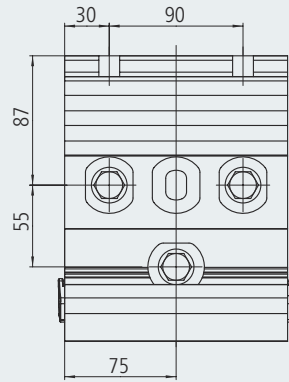
Compact ceiling installation:  
a sturdy, elegant solution  
(not possible with Cassita II LED)



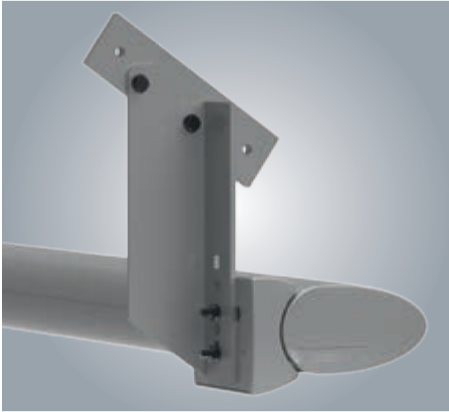
## Ceiling installation II



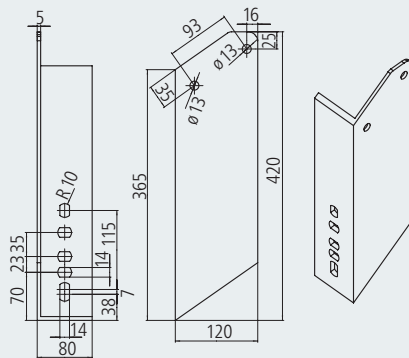
Ceiling installation specifically for Cassita II LED: with wall bracket and ceiling bracket



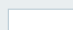
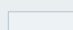
## Rafter bracket installation

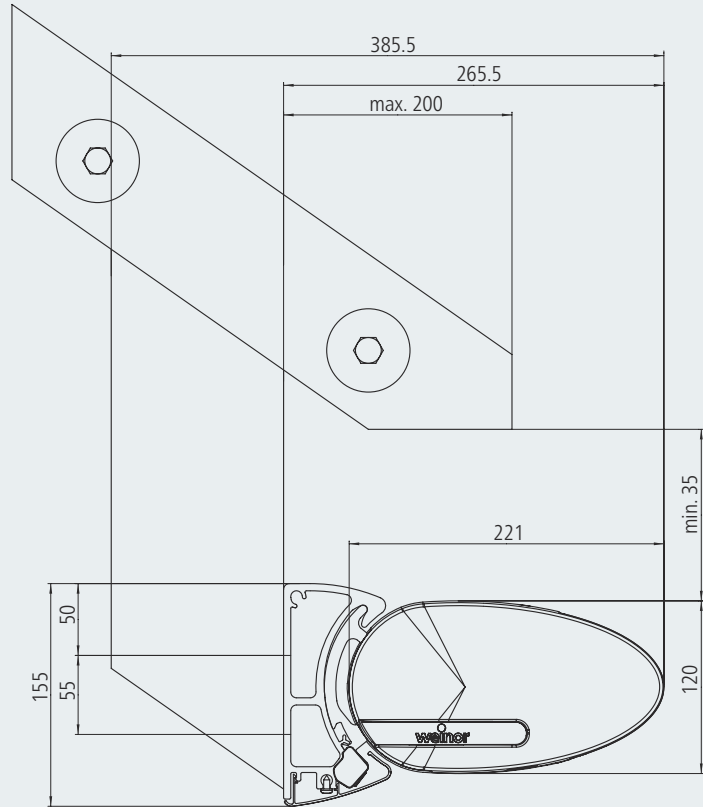


Installation on rafters using rafter bracket, mounting plate and wall bracket, 150 mm wide



Rafter bracket

-  1 rafter bracket and 1 standard wall bracket (150 mm) and covers, each for left- and right-hand side
-  1 rafter bracket and 1 mounting plate and 1 standard wall bracket (150 mm) and covers, each for left- and right-hand side



### Shear force in N per fixing

Width in cm	Projection in cm			
	150	200	250	300
250	1205	1826	2633	
	562	813	1139	
300	1394	2113	3037	4075
	653	944	1317	1737
350	1583	2399	3441	4618
	744	1074	1495	1971
400	1772	2685	3845	5160
	836	1205	1674	2206
450	1961	2971	4248	5703
	927	1335	1852	2440
500	2150	3257	4652	6245
	1018	1466	2030	2674
550	2339	3543	5056	7672
	1110	1596	2208	3266

## Extraction forces for Cassita II/Cassita II LED

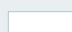
The extraction force is the force with which the weight of the awning and the wind load pull on each upper fixing. The tables indicate this force in N per upper fixing. It varies depending on the awning size and the wall bracket/mounting plate used.

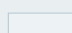
### Selecting the wall bracket and anchoring system:

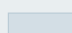
1. Consult relevant table for extraction force per fixing for selected awning size.


2. Select a wall bracket/mounting plate for which there is a fastener which can resist the indicated extraction force. Remember to take into account the spacing, the area which will be damaged if the fixing breaks out, the type of fixing used and the assembly base.


See separate bracket overview for other bases.

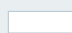
 1 standard wall bracket (150 mm) and covers, 1 standard wall bracket (150 mm) and covers per awning arm fasteners: 6\* in total

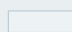
 mounting plate, 260 x 220 mm incl. 1 standard wall bracket (150 mm) and covers fasteners: 8\* in total

 mounting plate, 660 x 220 mm incl. 1 standard wall bracket (150 mm) and covers fasteners: 12\* in total

 mounting plate, 660 x 390 mm incl. 1 standard wall bracket (150 mm) and covers fasteners: 12\* in total

 installation on front of concrete ceiling with 1 standard wall bracket (150 mm) and covers, 1 standard wall bracket (150 mm) and covers per awning arm fasteners: 6\* in total

 1 standard wall bracket (150 mm) with ceiling bracket, 1 standard wall bracket (150 mm) with ceiling bracket per awning arm fasteners: 8\* in total

 1 compact ceiling bracket, 1 compact ceiling bracket per awning arm fasteners: 6\* in total

See separate bracket price list for other bases.

\* number of fasteners required on site

### Wall and ceiling installation on C20/25 concrete with up to 200 mm of facing

Extraction force in N per upper dowel of wall bracket/mounting plate

Width in cm	Projection in cm			
	150	200	250	300
250	1082	1646	2370	
	322	489	705	
	161	245	352	
	84	127	184	
	1322	2011	2897	3874
300	1248	1900	2731	3654
	371	565	812	1086
	186	282	406	543
	97	147	212	283
	1525	2323	3338	4466
350	1414	2155	3092	4139
	420	641	919	1230
	210	320	460	615
	110	167	240	321
	1729	2634	3779	5059
400	1580	2410	3453	4623
	470	716	1027	1375
	235	358	513	687
	122	187	267	358
	1932	2945	4220	5651
450	1747	2665	3814	5108
	519	792	1134	1519
	260	396	567	759
	135	206	295	396
	2135	3257	4661	6243
500	1913	2919	4175	5592
	569	868	1241	1663
	284	434	621	831
	148	226	323	433
	2338	3568	5102	6835
550	2079	3174	4535	6925
	618	944	1348	2059
	309	472	674	1029
	161	246	351	536
	2541	3879	5543	8464

### Ceiling installation on C20/25 concrete

Extraction force in N per upper fastener in ceiling bracket

Width in cm	Projection in cm			
	150	200	250	300
250	469	705	1011	
	509	769	1106	1483
300	544	817	1169	1564
	591	892	1278	1713
350	620	930	1326	1775
	673	1014	1450	1944
400	695	1042	1484	1986
	755	1137	1622	2174
450	771	1155	1641	2196
	837	1259	1794	2405
500	846	1267	1799	2407
	918	1382	1966	2635
550	922	1380	1956	2959
	1000	1504	2138	3241

Awnings



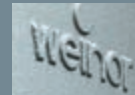
Awning



Awning with Valance Plus and Tempura



Awning with Valance Plus and Paravento



Premium quality  
Made in Germany

Pergola awnings



Pergola awning  
PergoTex II  
and Tempura



Pergola awning  
Plaza Home  
and Paravento



Pergola awning  
Plaza Pro with Paravento  
and VertiTex

Customised,  
systemised solutions

Patio roof and Glasoase®



Glasoase® with  
conservatory awning and  
all-glass elements



Patio roof with  
SUPER LITE fixed glazing



Terrazza patio roof with  
Sottezza II sun protection

Patent no			
994221	1936061	2383402	EP1936105
1206609	1936062	2458107	EP2136214
1382770	2009192	2631386	EP3048213B1
1522650	2072709	3054063	EP3054063B1
1541776	2136013	EP0916781	
1564364	2199484	EP0959195	
1835089	2202376	EP1310609	

Last revised: 09/2017

The current issue can be found at [www.weinor.de/fachpartner/service/downloadcenter](http://www.weinor.de/fachpartner/service/downloadcenter)